


The chart settings shown below are “reference” settings to be used as starting points. Actual voltage settings may vary depending upon the conditions or each application and use.

PIN/STUD TYPE	PIN/STUD DIA	PIN/STUD MAT'L.	VOLTAGE SETTING
Cuphead Pin	12 GA	Mild Steel	85-95
Insulation Pin	12 GA 10 GA	Mild Steel or Stainless	75-85 85-95
	12 GA 10 GA	Aluminum	110-120 120-130
Weld Studs (Flanged)	#10 or 3/16" 1/4"	Mild Steel or Stainless	120-130 145-155
	#8 #10 or 3/16"	Aluminum	120-130 130-140

VOLTAGE SETTINGS

for ACCESSORIES
and SPARE PARTS
see:

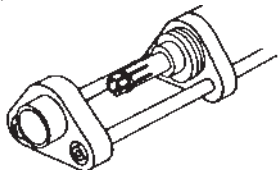
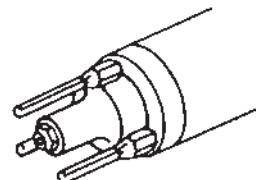
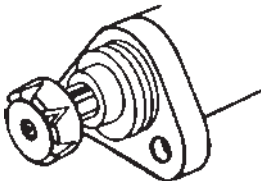
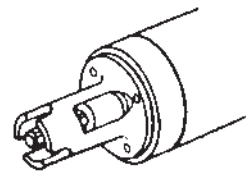


**MIDWEST
FASTENERS, INC.**

Toll Free: 800-852-8352 • Fax: 937-866-4174
www.midwestfasteners.com

**CD STUD WELDING ACCESSORIES
SPECIFICATION GUIDE**

SET-UPS

<p>STANDARD Adjustable and with spark shield, for Pins or Studs.</p> 	<p>COLLET PROTECTOR Fixed, for Pins.</p> 
<p>CUP HEAD CHUCK For all Cup Head Pins.</p> 	<p>TEMPLATE ADAPTOR For precise location of studs.</p> 

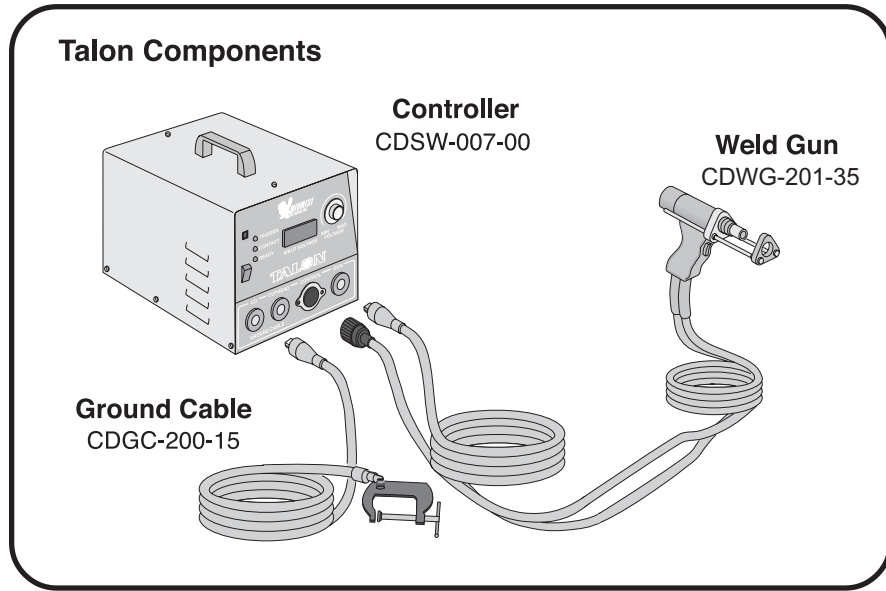


Solid State — Capacitor Discharge
Pin Welding System

Quick Startup Guide



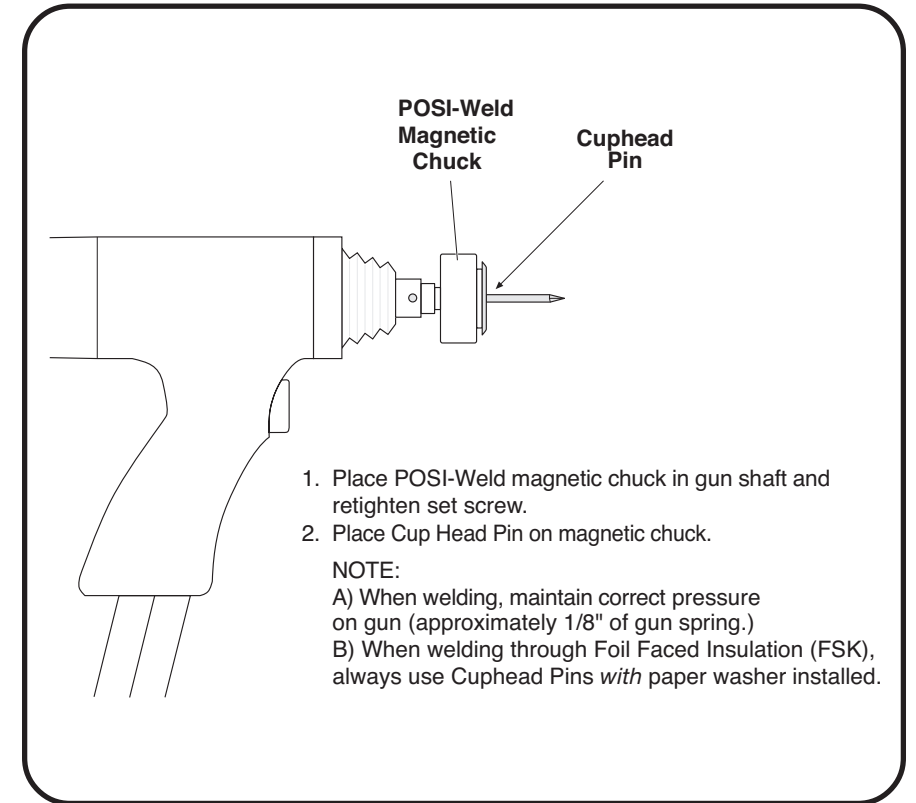
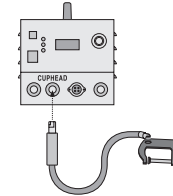
PARTS



Remove the controller, cables and weld gun from the shipping packaging.

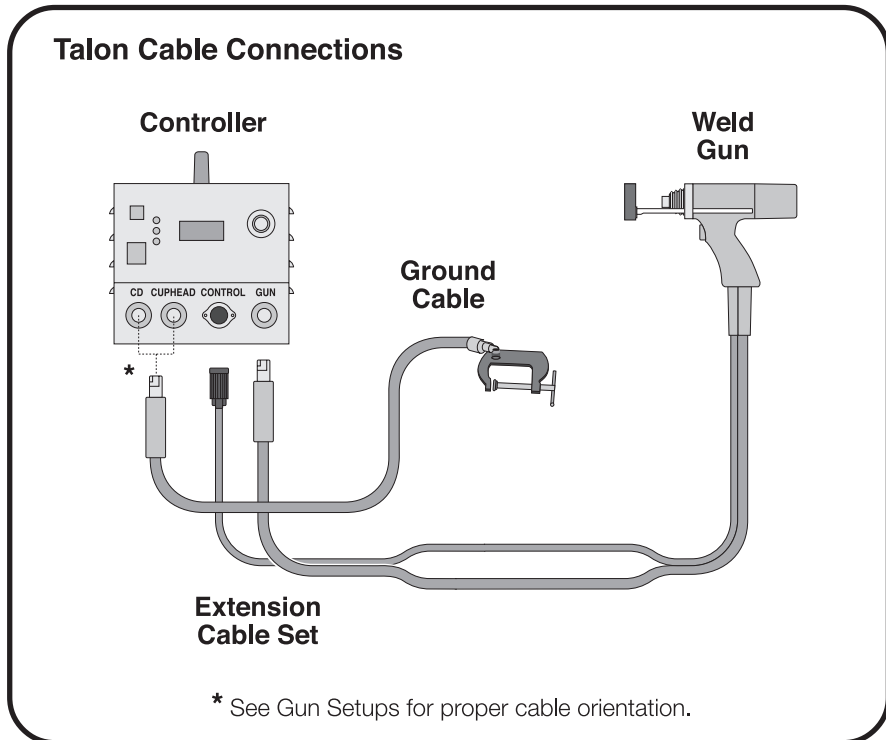
CD-2T WELD GUN SETUP

CUPHEAD PINS



Connect the Cable connectors to the controller as marked: "CD" or "CUPHEAD" depending on the fastener type to be welded.

SETUP



NOTE: All cables should be laid out straight or in large loops.

CD-2T WELD GUN SETUP

INSULATION PINS WITH COLLET PROTECTOR

