



Toll Free: 800-852-8352 • Fax: 937-866-4174
www.midwestfasteners.com

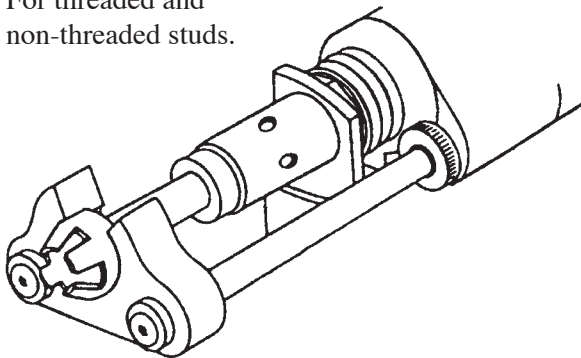
ARC STUD WELDING ACCESSORIES

SPECIFICATION GUIDE

SET-UPS

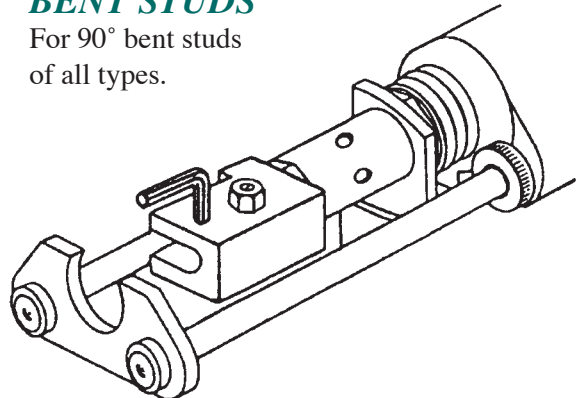
STANDARD

For threaded and non-threaded studs.



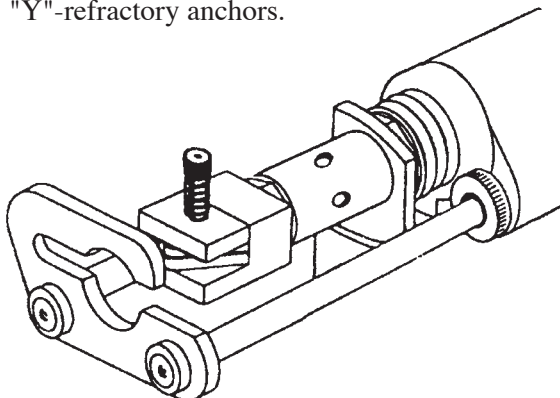
BENT STUDS

For 90° bent studs of all types.



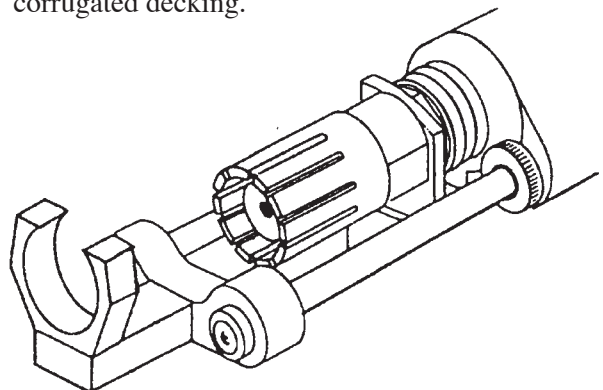
REFRACTORY ANCHOR

For bullhorn "Y"-refractory anchors.

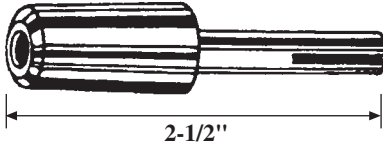


WELD THRU DECK

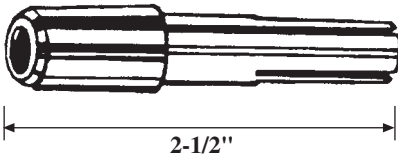
For welding headed anchors thru corrugated decking.



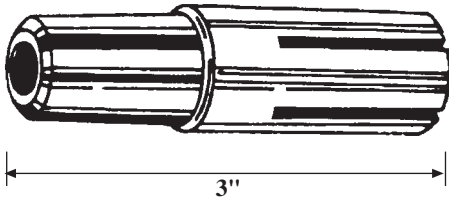
STANDARD ADJUSTABLE ARC CHUCKS



STUD DIA.	PART NO.
12GA	102-0101-20
1/8 or #5	102-0101-19
10 GA OR #6	102-0101-13
#8	102-0101-14



STUD DIA.	PART NO.
3/16 or #10	102-0101-01
1/4	102-0101-02
5/16	102-0101-03
3/8	102-0101-04
7/16	102-0101-12
1/2 or (1/4 HCA)	102-0101-05

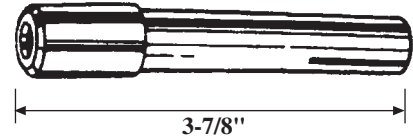


STUD DIA.	PART NO.
5/8	102-0101-06
3/4 or (3/8 HCA)	102-0101-08
7/8	102-0101-09

METRIC ADJUSTABLE ARC CHUCK

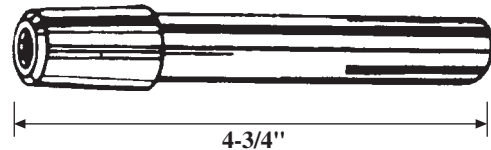
STUD DIA.	PART NO.
M3	102-0101-24
M4	102-0101-25
M5	102-0101-26
M6	102-0101-27
M8	102-0101-28
M10	102-0101-29
M12	102-0101-30
M14	102-0101-33

LONG ADJUSTABLE ARC CHUCKS



STUD DIA.	PART NO.
#8	102-0103-09
3/16 or #10	102-0103-01
1/4	102-0103-02
5/16	102-0103-03
3/8	102-0103-04
7/16	102-0103-08
1/2	102-0103-05
5/8	102-0103-06
3/4	102-0103-07

EXTRA LONG ARC CHUCKS



STUD DIA.	PART NO.
#8	102-0103-50
3/16 or #10	102-0103-51
1/4	102-0103-52
5/16	102-0103-53
3/8	102-0103-54
7/16	102-0103-58
1/2	102-0103-55
5/8	102-0103-56
3/4	102-0103-57



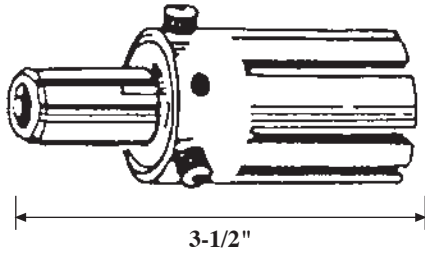
450 Richard St.

Miamisburg, OH 45342

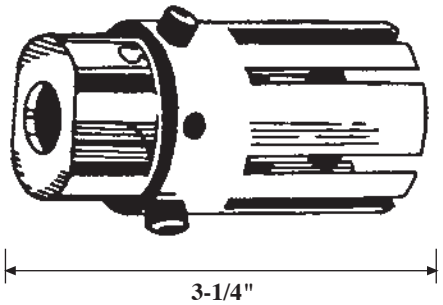
Toll Free: 800-852-8352 • Fax: 937-866-4174

www.midwestfasteners.com

HEADED CONCRETE ANCHOR & SHEAR CONNECTOR CHUCKS

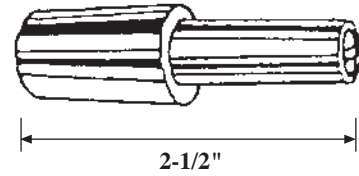


CHUCK DIA.	PART NO.
1" ASS'Y (or 1/2 HCA)	102-0108-01
Body	102-0108-02
Tines	102-0108-03
Adj. Stop	181-0108-18

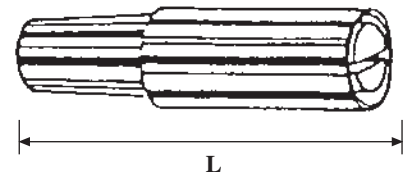


CHUCK DIA.	PART NO.
1-1/4" ASS'Y (or 5/8 HCA, or 3/4 SC)	102-0108-06
Body	102-0108-07
Tines	102-0108-08
Adj. Stop	102-3137-16
1-3/8" ASS'Y (or 7/8 SC)	102-0108-11
Body	102-0108-12
Tines	102-0108-13
Adj. Stop	181-3137-16
TINE-MTG. SCREW	181-3029-06
STOP-LOCKING SCREW	181-3729-04

RECTANGULAR CHUCKS

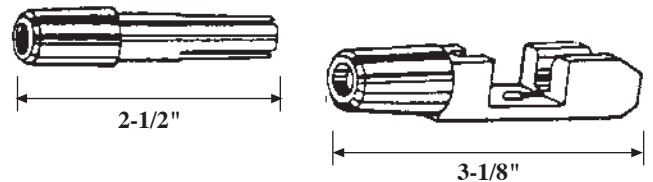


STUD DIA.	PART NO.
1/8 x 3/8 ASS'Y	102-0102-11
Body	102-0102-03
Insert	102-0102-04
Insert Screw	181-3029-11
Lock Washer	181-1206-42



STUD SIZE	PART NO.
1/8 x 5/8 ASS'Y	102-0102-12
Body	102-0102-05
Insert	102-0102-06
Insert screw	181-3029-13
Lock Washer	181-1206-42

INSUL-TWIST CHUCKS



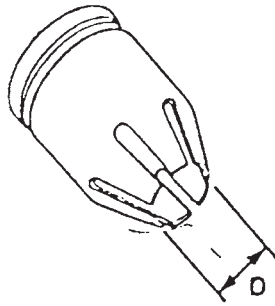
FOR STUDS	PART NO.
Shorter than 6-1/2"	102-0102-13
6-1/2" or Longer	102-0102-10

for Ferrule Grip, use 3/8" Split

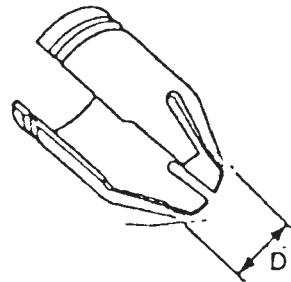


450 Richard St.
 Miamisburg, OH 45342
 Toll Free: 800-852-8352 • Fax: 937-866-4174
www.midwestfasteners.com

STANDARD FERRULE GRIPS (1" LONG)

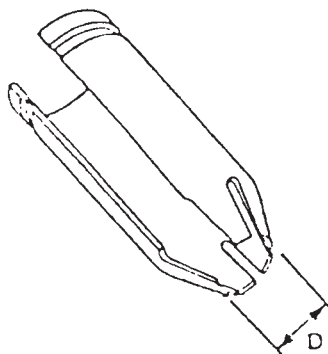


FULL BASE STUD SIZE	GRIP DIA. (D)	USE WITH FOOT	PART NO.
10 GA or #6	.281	Small	102-0401-01
#8	.291	Small	102-0401-13
3/16 or #10	.305	Small	102-0401-02
1/4	.380	Small	102-0401-03
5/16	.445	Small	102-0401-04
3/8	.505	Small	102-0401-05
7/16	.585	Small	102-0401-06
1/2	.650	Small	102-0401-07
5/8	.785	Medium	102-0401-08
3/4	1.030	Medium	102-0401-09
7/8	1.203	Large	102-0401-10
1	1.406	Large	102-0401-11
1/8 x 5/8 Rect.	.921	Medium	102-0401-12



SPLIT FERRULE GRIPS (1" LONG)

FULL BASE STUD SIZE	GRIP DIA. (D)	USE WITH FOOT	PART NO.
10 GA or #6	.281	Small	102-0402-01
#10	.305	Small	102-0402-02
1/4	.380	Small	102-0402-03
5/16	.445	Small	102-0402-04
3/8	.505	Small	102-0402-05
7/16	.585	Small	102-0402-06
1/2	.650	Small	102-0402-07
5/8	.785	Medium	102-0402-08
3/4	1.030	Medium	102-0402-09
7/8	1.203	Large	102-0402-10
1	1.406	Large	102-0402-11



LONG SPLIT FERRULE GRIPS (2" LONG)

FULL BASE STUD SIZE	GRIP DIA. (D)	USE WITH FOOT	PART NO.
1/4	.380	Small	102-0403-01
5/16	.445	Small	102-0403-02
3/8	.505	Small	102-0403-03
7/16	.585	Small	102-0403-04
1/2	.650	Small	102-0403-05
5/8	.785	Medium	102-0403-06
3/4	1.030	Medium	102-0403-07



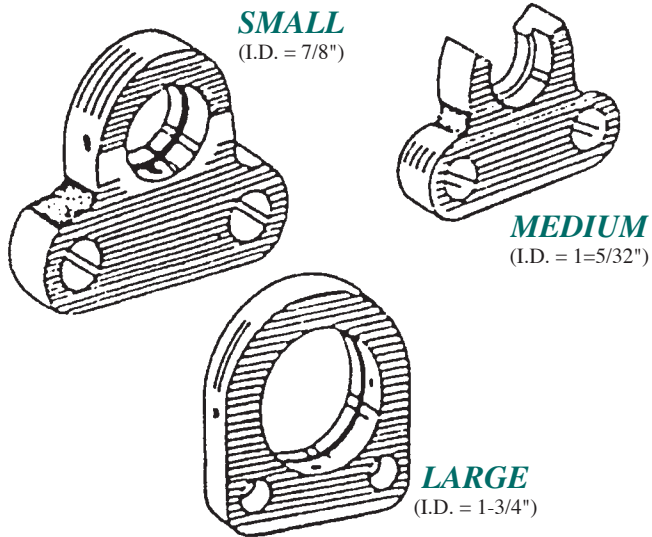
450 Richard St.

Miamisburg, OH 45342

Toll Free: 800-852-8352 • Fax: 937-866-4174

www.midwestfasteners.com

STANDARD/SPLIT ADJUSTABLE FOOT

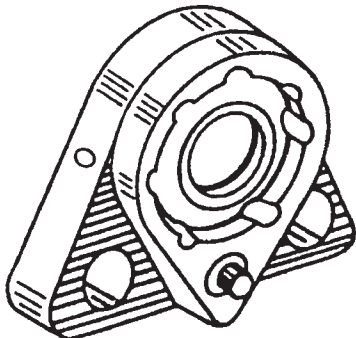


SIZE	STUD RANGE	PART NO.
Small/Std	Up to 1/2"	102-0219-01
Medium/Std	5/8"-3/4"	102-0219-02
Large/Std	7/8" and Up	102-0219-03

SIZE	STUD RANGE	PART NO.
Small/Split	Up to 1/2"	102-0219-06
Medium/Split	5/8"-3/4"	102-0219-07
Large/Split	7/8" and Up	102-0219-08

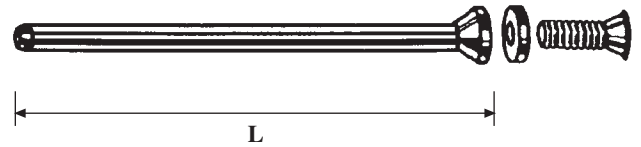
GAS ADAPTOR FOOT

(For welding aluminum studs)



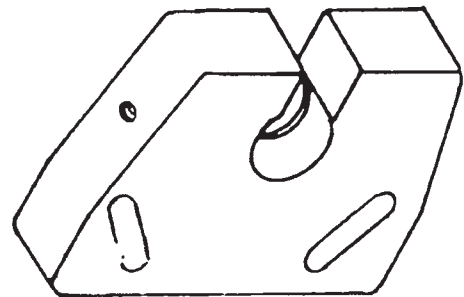
ACCESSORIES
Gas Foot Assembly
Ferrule Bushing 1/4"-5/16"
Ferrule Bushing 3/8"-1/2"
15' Gas Hose
Argon Gas Regulator

STANDARD ADJUSTABLE LEGS



LENGTH	PART NO.
7"	102-0202-05
9"	102-0202-06
14"	102-0202-07
18"	102-0202-08
23"	102-0202-09
27"	102-0202-10
32"	102-0202-11
36"	102-0202-13
Leg Washer	102-0202-20
Leg Screw (STD)	181-3130-13
Leg Screw (Short for Footplates)	181-3130-10

BANTAM STYLE ADJUSTABLE FOOT

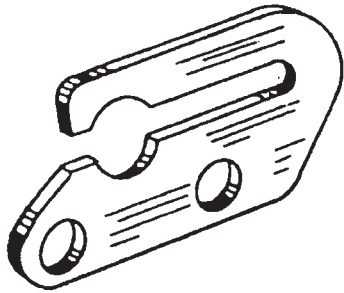


SIZE	STUD RANGE	PART NO.
Small	Up to 1/2"	102-0204-01
Medium	5/8"-3/4"	102-0204-02
Large	7/8" and Up	102-0204-03



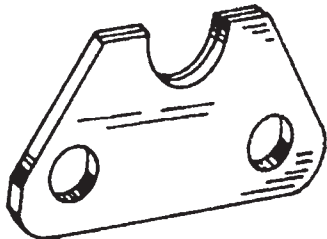
450 Richard St.
 Miamisburg, OH 45342
 Toll Free: 800-852-8352 • Fax: 937-866-4174
www.midwestfasteners.com

**BULLHORN & "Y"-ANCHOR
(RA-V) FERRULE
FOOTPLATE**



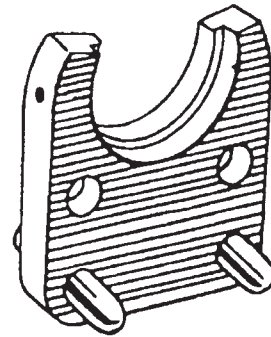
STUD SIZE	PART NO.
3/16 OR 1/4	102-0303-15

**STANDARD FERRULE
FOOTPLATE**



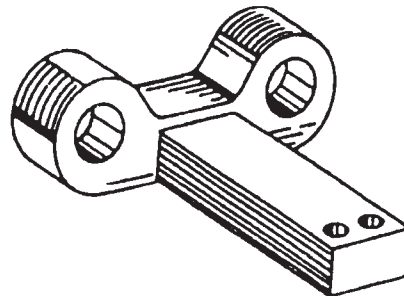
STUD DIA.	PART NO.
1/4	102-0303-01
5/16	102-0303-08
3/8	102-0303-02
7/16	102-0303-03
1/2	102-0303-04
5/8	102-0303-05
3/4	102-0303-06
7/8	102-0303-07

BIPOD FOOT



SIZE	PART NO.
Std. Small Ass'y	102-0219-21
Std. Medium Ass'y	102-0219-23
Split Small Ass'y	102-0219-27
Split Medium Ass'y	102-0219-29
Shear Conn. Ass'y	102-0219-34
Leg	102-0103-20
Nut	181-1100-50

**WELD THRU DECK
EXTENSION FOOT**



ITEM	PART NO.
ASS'Y	102-0219-11
Foot	102-0219-12
Extension	102-0219-13
Screws	181-3030-13



450 Richard St.

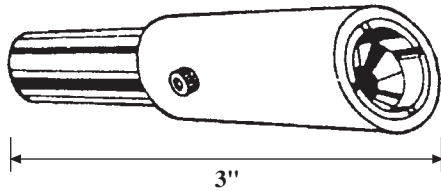
Miamisburg, OH 45342

Toll Free: 800-852-8352 • Fax: 937-866-4174

www.midwestfasteners.com

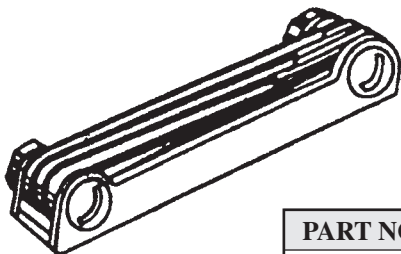
BALL STUD CHUCK

(ADJUSTABLE, REPLACEABLE TINES)



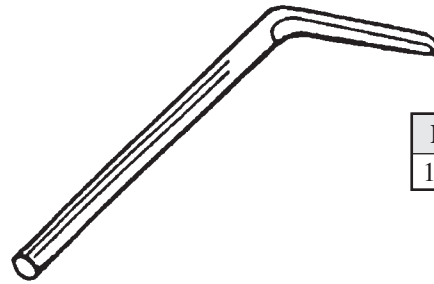
STUD DIA.	PART NO.
3/8 ASS'Y	102-0105-35
Body	102-0105-36
Adj. Stop	102-0105-37
Tines	102-0105-39
Sleeve	102-0105-38
1/2 ASS'Y	102-0105-22
Body	102-0105-23
Adj. Stop	102-0105-24
Tines	102-0105-26
Sleeve	102-0105-25
5/8 ASS'Y	102-0105-44
Body	102-0105-45
Adj. Stop	102-0105-46
Tines	102-0105-48
Sleeve	102-0105-47
(All) Tines Screw	181-1015-05

ALLEN WRENCH SET



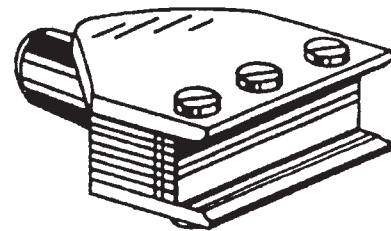
PART NO.
102-0100-00

CHUCK EJECTOR KEY



PART NO.
102-0100-05

"T"-PLATE CHUCK



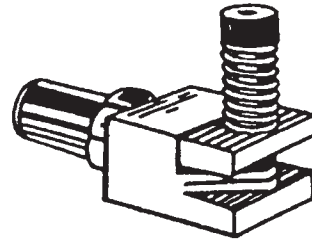
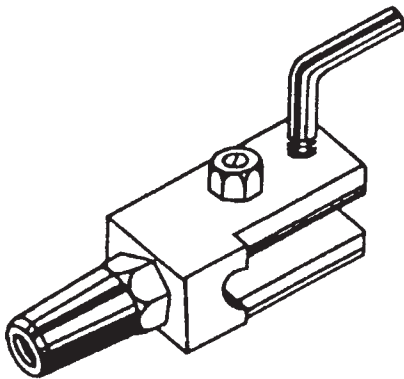
"T"-PLATE SIZE	PART NO.
1/4 thick x 7/8 Wide x L" ASS'Y	102-0501-85
Body	102-0501-86
Bottom Plate	102-0501-87
Top Plate	102-0501-88
Spacer	102-0501-89
Mtg. Screw	181-2029-06
Plunger	102-0501-90
Plunger Screw	181-3529-03
Adaptor	101-0204-03
Jam Nut	181-1005-04



450 Richard St.
 Miamisburg, OH 45342
 Toll Free: 800-852-8352 • Fax: 937-866-4174
www.midwestfasteners.com

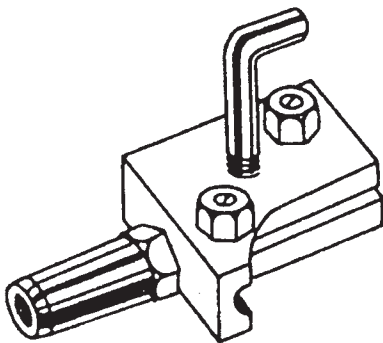
BULLHORN & "Y"-ANCHOR (RA-V) CHUCKS

90° BENT STUD CHUCK



ANCHOR DIA.	PART NO.
3/16 ASS'Y (Bullhorn)	102-0106-10
Body	102-0106-11
1/4 ASS'Y (Y-Anchor)	102-0106-13
Body	102-0106-14
(Both) Contact Plate	102-0106-12
Shldr. Screw	181-3330-12
Spring	102-0106-09
Flat Washer	181-1200-44
Adaptor	101-0204-03
Jam Nut	181-1005-04

45° BENT STUD CHUCK



SPECIAL RECTANGULAR CHUCKS

STUD DIA.	PART NO.
1/8 x 1/4 ASS'Y	102-0102-10
1/8 x 7/8 ASS'Y	102-0102-13
1/8 x 1" ASS'Y	102-0102-14
3/16 x 3/4 ASS'Y	102-0102-09
3/16 x 1" ASS'Y	102-0102-16
1/4 x 3/4 ASS'Y	102-0102-17



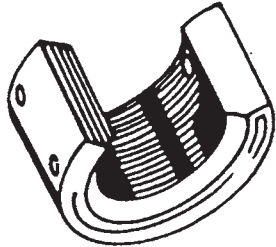
450 Richard St.

Miamisburg, OH 45342

Toll Free: 800-852-8352 • Fax: 937-866-4174

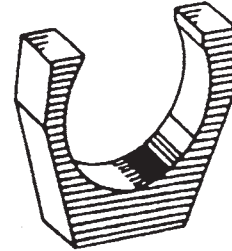
www.midwestfasteners.com

***SHEAR CONNECTOR
FERRULE GRIP
(FOR USE WITH SHEAR
CONNECTOR BIPOD FOOT)***



STUD DIA.	GRIP DIA.	PART NO.
1/2	.680	102-0408-11
5/8	.815	102-0408-12
3/4	1.060	102-0408-13
7/8	1.240	102-0408-14

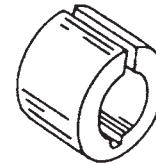
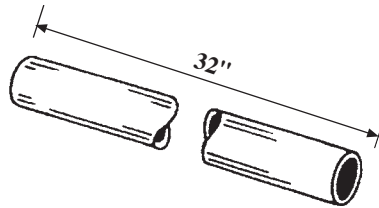
***WELD THRU DECK
FERRULE GRIP
(FOR USE WITH WELD THRU
DECK EXTENSION FOOT)***



STUD DIA.	GRIP DIA.	PART NO.
3/4	1.060	102-0219-17
7/8*	1.240	102-0219-18
Mtg. Screws		181-3029-08

*This is also used for WTD-750 Ferrule.

FERRULE TUBE & FERRULE TUBE BUSHINGS



STUD DIA.	TUBE PART NO.	TUBE I.D.	TUBE O.D.	USE WITH FOOT	REQUIRES BUSHING PART NO.
10GA	102-0405-01	.291	.360	Small	102-0406-01
3/16	102-0305-02	.305	.375	Small	102-0406-02
1/4	102-0405-03	.380	.500	Small	102-0406-03
5/16	102-0405-04	.445	.562	Small	102-0406-04
3/8	102-0405-05	.505	.625	Small	102-0406-05
7/16	102-0405-06	.585	.687	Small	102-0406-06
1/2	102-0405-07	.650	.750	Small	102-0406-07
5/8	102-0405-09	.785	.906	Medium	102-0406-08
3/4	102-0405-10	1.030	1.156	Medium	102-0406-09



450 Richard St.
 Miamisburg, OH 45342
 Toll Free: 800-852-8352 • Fax: 937-866-4174
www.midwestfasteners.com

MIDWEST FASTENERS ARC STUD WELDING SYSTEMS AND PORTABLE POWER SUPPLIES

UA 100

This lightweight portable welding controller has a welding range of 12 GA (2.6 mm) through 5/8" (16 mm) diameter weld studs. The UA 100 features a rugged steel enclosure, plug-in circuitry making all components field serviceable, solid state timer that allows repeatability and dependability, power on safety switch and accessible front panel fuse. The UA 100 system comes complete with one (1) stud welding gun with legs and foot piece, one (1) 50-foot length of 1/0 combination extension cable set, one (1) 25-foot length of 1/0 generator cable and one (1) 25-foot length of 1/0 ground cable with heavy duty "C" clamp.

Weight: 25 lb. *Dimensions:* 11-1/2" wide x 10" deep x 11-3/4" high.



UA 500

A single-phase portable system designed to weld from #10 (4 mm) through 1/2" (14 mm) diameter weld base arc studs. This system features plug-in solid state circuitry accessible from rear door. Continuous current control from 250 to 900 amps. Continuous time control from .05 to .7 seconds. The UA 500 arc welding system also features a built-in chuck saver module. System comes complete with Solid State Power Supply, 25 feet of 1/0 ground cable with heavy duty clamp, 50 feet of 1/0 combination cable and stud welding gun with legs and foot piece.

Weight: 150 lb. *Dimensions:* 16" wide x 16" deep x 41" high.



MIDWEST FASTENERS ARC STUD WELDING SYSTEMS AND PORTABLE POWER SUPPLIES

(Continued)

UA 1000

This unique, multi-purpose three-phase system is designed for arc stud welding, stick welding and arc air gouging. The UA 1000 welds all sizes of arc studs from #10 (4mm) through 5/8" (16 mm) weld base arc studs, and all size electrodes in stick mode, and arc air gouging up to 450 amperes. This system features solid state full converter bridge output, constant current output, chuck saver, line voltage compensated, regulated timing, fused control circuitry, controlled hot plunge and low open circuit voltage.

Weight: 500 lb. Dimensions: 22-1/4" wide x 35-3/4" deep x 30" high.



UA 1800

This multi-purpose system also features arc stud welding, stick welding and arc air gouging. The UA 1800 welds all size arc studs from #10 (4 mm) through 7/8" (22 diameter studs and all sizes of electrodes in stick mode and arc air gouging up to 750 amperes. The UA 1800 arc stud welding system features solid state full converter bridge output constant current output, chuck saver, line voltage compensated, regulated timing, fused control circuitry, controlled hot plunge, low open circuit voltage and reduced weld current start. The UA 1800 comes complete with one (1) heavy duty arc welding gun with legs and foot piece, one (1) 50-foot length of 4/0 combination cable extension set and one (1) 25-foot length of 4/0 ground cable with heavy duty "C" clamp.

Weight: 650 lb. Dimensions: 22-1/4" wide x 40" deep x 30" high.



450 Richard St.

Miamisburg, OH 45342

Toll Free: 800-852-8352 • Fax: 937-866-4174

www.midwestfasteners.com



450 Richard St. • Miamisburg, OH 45342
e-mail: sales@midwestfasteners.com
website: www.midwestfasteners.com
Toll Free: 800-852-8352 • Fax: 937-866-4174