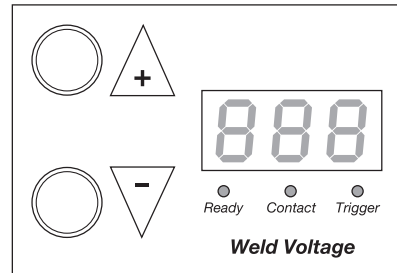


VOLTAGE SETTINGS

Adjust the weld voltage setting according to the chart below and your current welding application, using the up (+) or down (-) pushbuttons on the control panel on the front of the Controller.



Control Panel

Pin/Stud Type	Pin/Stud Dia	Pin/Stud Mat'l.	Voltage Setting
Cuphead Pin	12 GA	Mild Steel	80-90
Insulation Pin	12 GA	Mild Steel or Stainless	65-75
	10 GA		80-90
Weld Studs (Flanged)	12 GA	Aluminum	75-85
			10 GA
	#8	Mild Steel or Stainless	85-95
			#10 or 3/16"
#8	Aluminum	125-135	
		#10 or 3/16"	80-90
			120-130

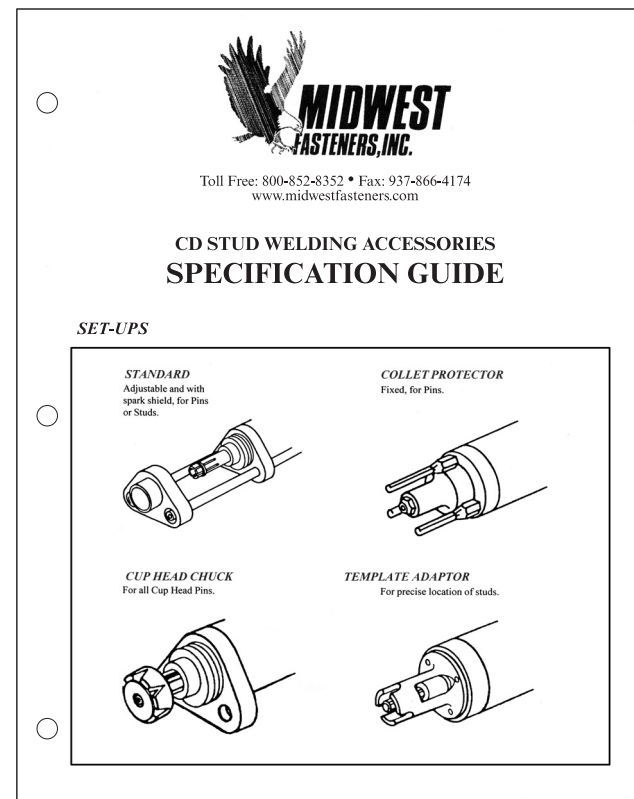
SURE SHOT

UltraLight – Capacitor Discharge
Welding System

Quick Start Guide

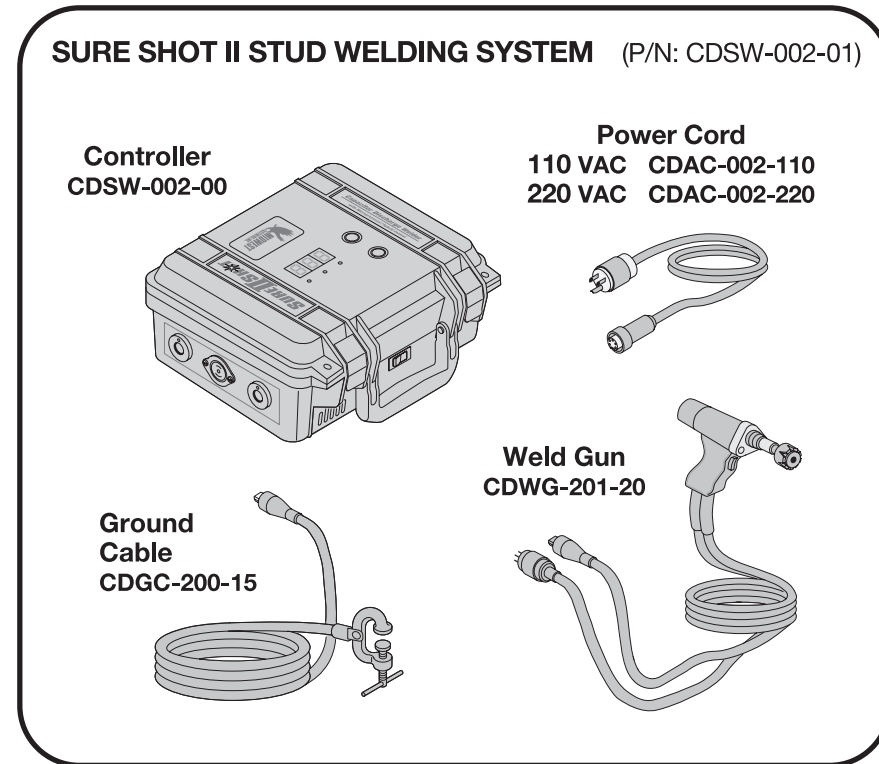
**FOR ACCESSORIES
AND SPARE PARTS SEE:**

FOR MORE INFORMATION, VISIT-
www.midwestfasteners.com



Unpack components shown below and untie all cable assemblies.

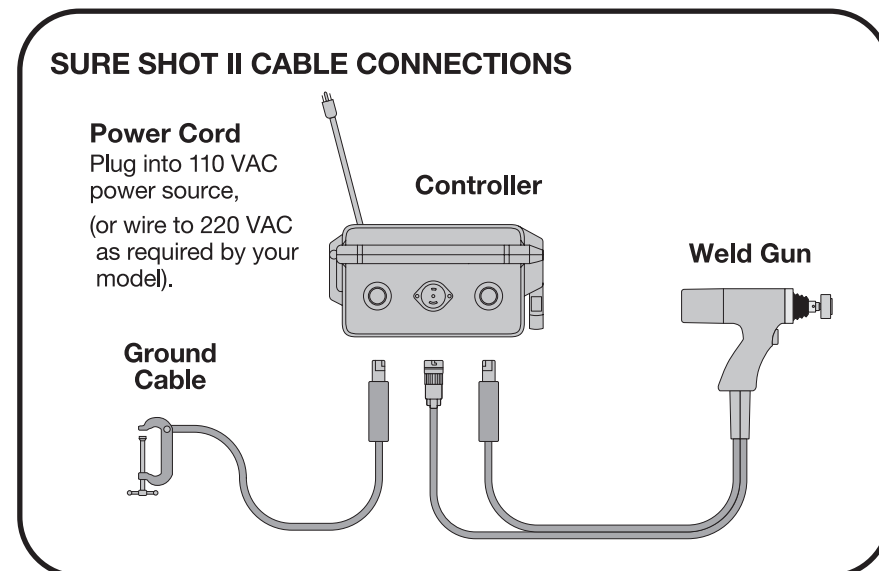
PARTS



Connect the cables to the controller as shown below.

SETUP

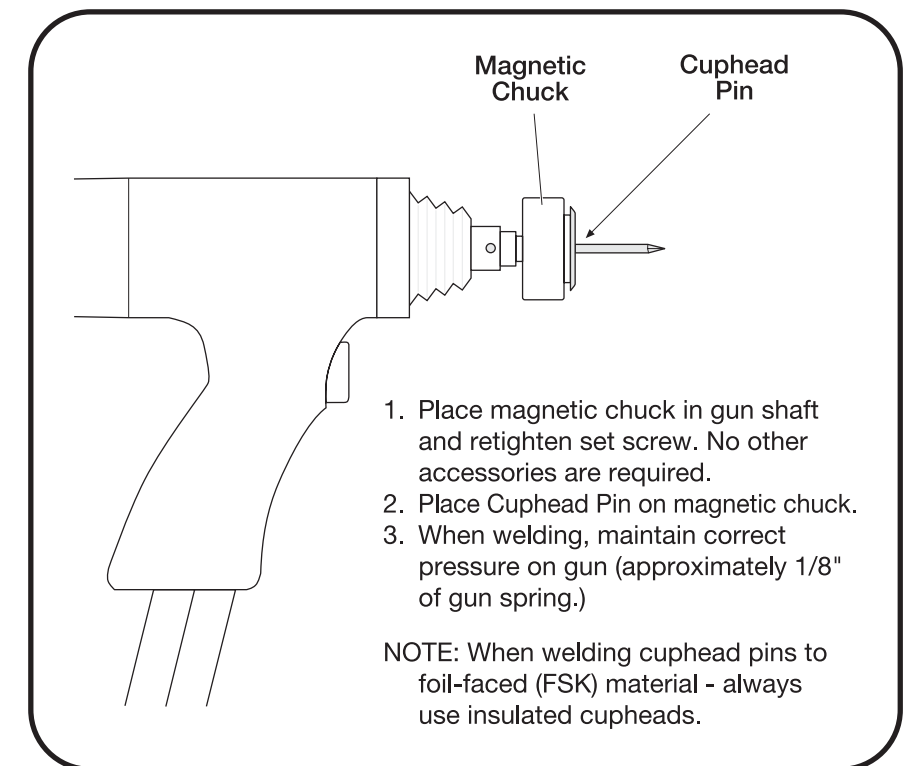
NOTE: All cables should be laid out straight or in large loops. Never coil up cables near point of welding.



Install and adjust the gun accessories based on your current application.

SURESHOT II GUN SETUP

CUPHEAD PINS



SURESHOT II GUN SETUP

INSULATION PINS / COLLET PROTECTOR

